



POSEIDON

Night Vision Tri-Camera System



PRODUCT OPERATION FEATURES:

- Triple camera configuration - featuring simultaneously viewable independent Infra-Red Thermal & Ultra Low-Lux Imaging Sensors and a High Resolution Color Camera capable of more than 300x Zoom.
- The Thermal Imager allows for safe operation in total darkness.
- The 10x Zoom Low Light .00015/Lux camera amplifies even barely discernable light to render a crisp detailed picture in adverse navigational conditions.
- Ideal Surveillance platform for any time of day
- 2-axis Gyro Stabilized with on screen heading indicator
- 360° Continuous Pan capability
- Target tracking via NMEA integration of Radar ARPA & AIS data
- Standard IP Control
- 18 Month Warranty

Outdoor Waterproof Controller



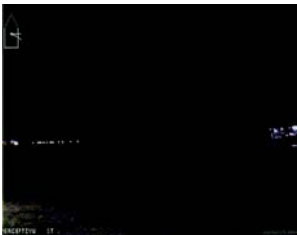
PRODUCT CONSTRUCTION

- Sealed & heated camera enclosure will withstand the harshest of marine environments
- Machined from marine grade solid billet aluminum
- Saltwater & corrosion resistant construction with rugged triple-primed and sealed, powder coated marine grade aluminum housing.
- Unique quick release base facilitates easy service or system sharing between vessels

The Poseidon Camera System is ideal for private vessels such as Mega Yachts, Expedition Yachts, & Sportfishing Yachts as well as Commercial & Military applications on land or sea.

The OceanView difference!

See what OceanView's three different cameras see in moonless night time.



Color Camera



Ultra Low Light Camera



Thermal Camera



OceanView Technologies, Inc.

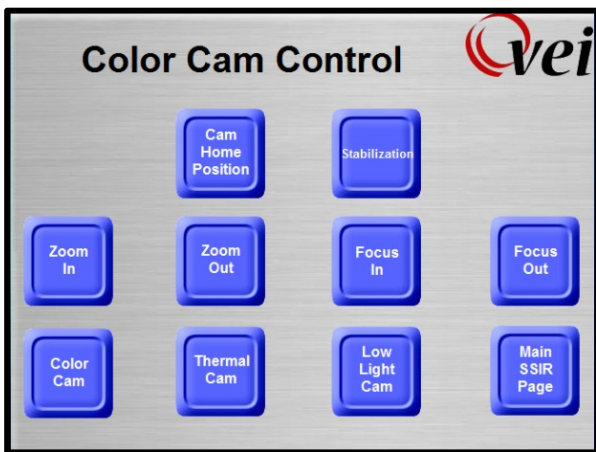
The VEI Building

5101 NW 21st Avenue

Ft. Lauderdale, FL 33309

Toll Free 1-888-VEI-LCDS

www.vei-systems.com



Easy to Navigate Operators Menu on LCD Pilothouse Touch Panel Controller

Thermal Imager

Resolution:	320x240
Detector type:	Uncooled Microbolometer
Spectral response:	7 to 14 μ m
Field of View:	23°, 14° or 9° (23° standard)
Video Output:	NTSC (PAL optional)
Image control:	Polarity (white/black Hot)
Zoom:	2x Digital
Frame Rate:	30Hz USA, 9Hz International
Human Detection Range:	1000' @ 23° FOV (standard) 2000' @ 14° FOV 3000' @ 9° FOV

Ultra Low Light Imager

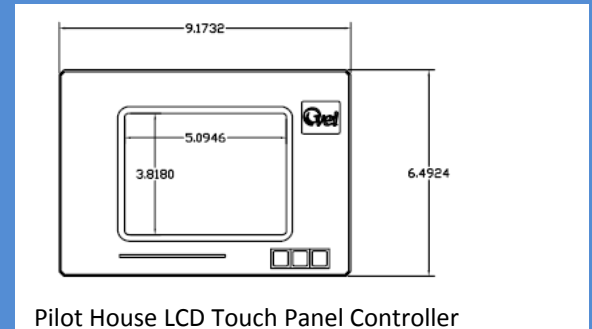
Resolution:	570 Lines
Picture Element:	437k pixels
Scanning System:	2:1 Interlaced
Minimum Scene Illumination:	0.00015 Lux
Lens (Focal Length):	10x Optical zoom
Field of View:	30° – 3°

Daylight Color Imager

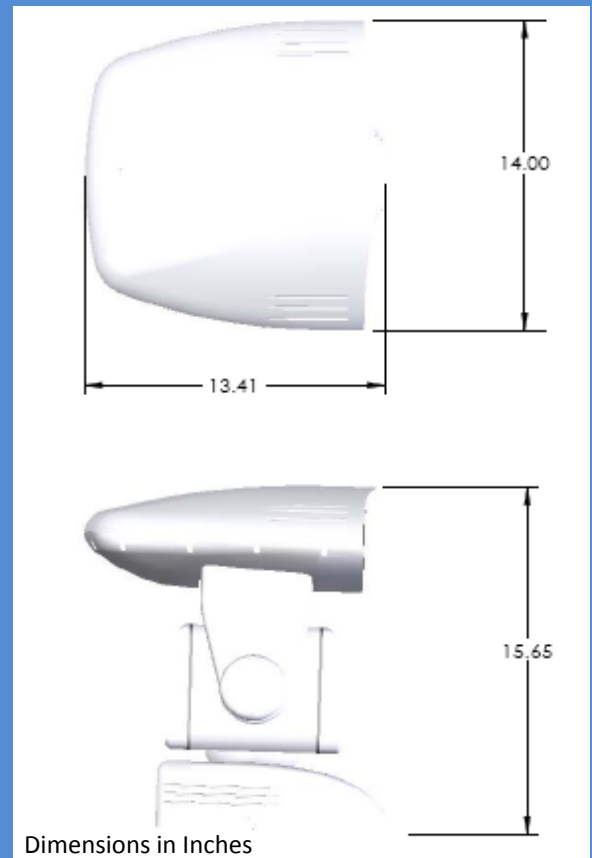
Resolution:	NTSC: 470 Lines PAL: 460 Lines
Picture Element:	NTSC: 630K Pixels PAL: 740K Pixels
Lens:	26x Optical Zoom 12x Digital Zoom 312x Total Zoom
Field of View (horizontal):	42° to 1.6°
Minimum Scene Illumination:	2.0 Lux
Recommended Illumination:	100 to 100k Lux
Signal to Noise Ratio:	50db
Image Stabilizer:	10Hz Frequency

Physical Specifications

Camera Size:	see below
Camera Weight:	52lbs
Color:	Awlgrip Matterhorn White
Voltage:	24VDC
Power Consumption:	16 amps peak/6 amps cont
Operating Temperature:	-12° to 50° C to IP66 spec
Environmental enclosure:	IP68 spec
Pan Range:	360°
Pan Speed:	.0005° to 50°/sec
Tilt Range:	71° up & 75° down
Tilt Speed:	.0005°-25°/sec
Swept Volume:	22.5" diameter x17.88" tall
Stabilization:	2 axis gyro stabilization
Max Length Control cable:	4000' of cat5
Max Length Video cable:	4000' of cat5
Control Stations:	maximum of 32
Radar Integration:	NMEA ARPA tracking



Pilot House LCD Touch Panel Controller



Dimensions in Inches